



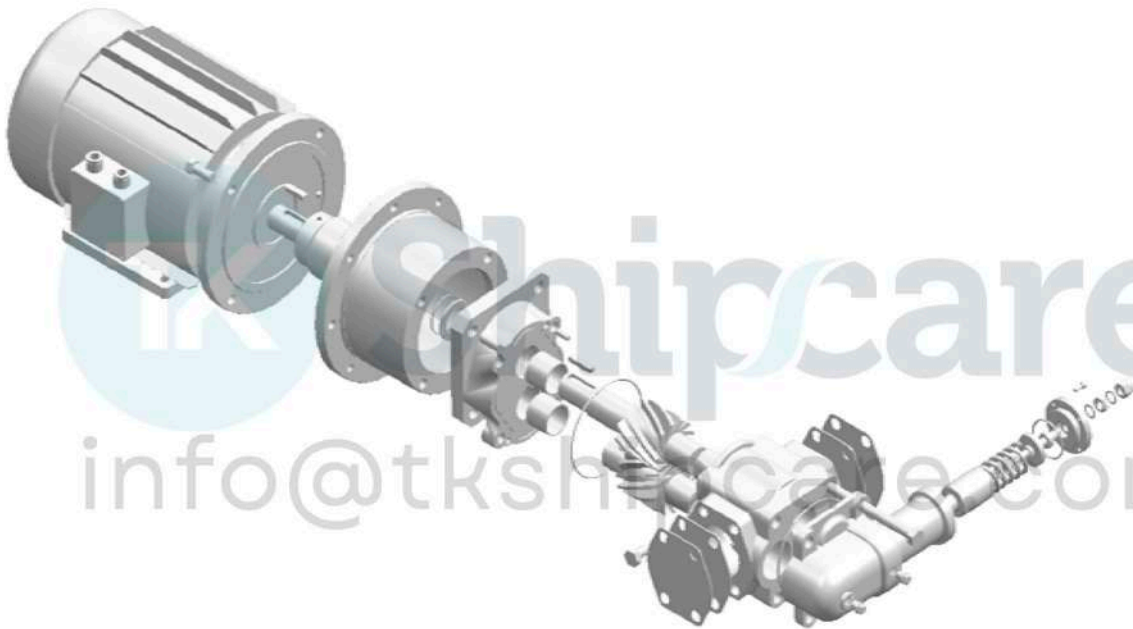
YURIM

info@tkshipcare.com

GEAR PUMPS

YRB 400 / 500

***Maintenance and Service
Instruction***



YURIM INDUSTRIAL CO., LTD



TK Shipcare

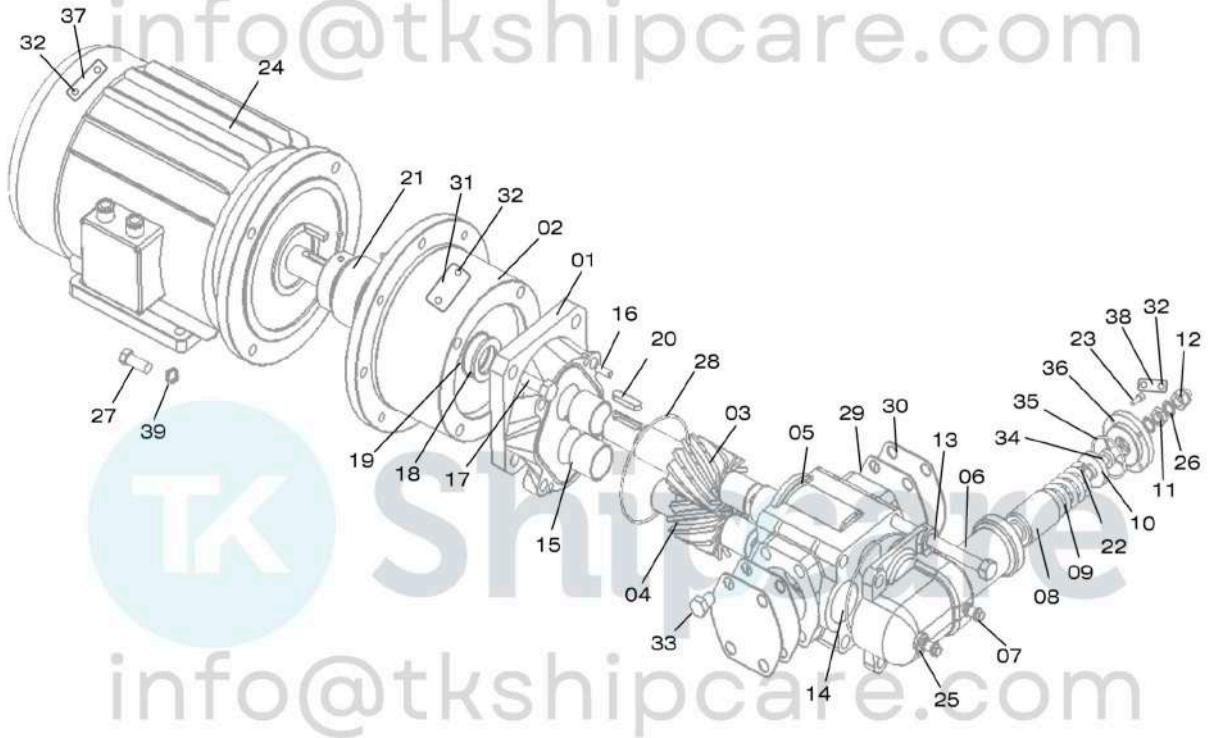
info@tkshipcare.com

Exploded view

TK Shipcare

info@tkshipcare.com

**Gear pump
YRB 400 / 500**



List of components

POS. NO	Denomination	QTY	YRB400	YRB500	POS. NO	Denomination	QTY	YRB400	YRB500
01	DRIVING COVER	1			21	JAW COUPLING	1		
02	CONNECTION COVER	1			22	GUIDE PIN	1	Ø5 X 12	Ø5 X 12
03	DRIVING GEAR SHAFT	1	M6 X 11	M6 X 11	23	SOCKET HEAD BOLT	3	M6 X 20	M6 X 20
04	GEAR SHAFT	1	M6 X 11	M6 X 11	24	MOTOR	1	13kW	13kW
05	GEAR HOUSING	1			25	WASHER	2	Ø18XØ13.5X1	Ø18XØ13.5X1
06	VALVE HOUSING	1			26	WASHER	2	Ø22XØ14.5X1	Ø22XØ14.5X1
07	PLUG	2	PF1/4	PF1/4	27	HEX'S HEAD BOLT	4	M16 X 45	M16 X 45
08	PISTON	1			28	O-RING	1	G150 x 3 t	G150 x 3 t
09	COMPRESSION SPRING	1			29	RUBBER PLATE	2		
10	STOP RING	1			30	COVER PLATE	2		
11	STOP NUT	1	M14	M14	31	NAME PLATE	1		
12	CAP NUT	1	M14	M14	32	RIVETS	6	Ø2 X 10	Ø2 X 10
13	HEX'S HEAD BOLT	4	M16 X 295	M16 X 295	33	HEX'S HEAD BOLT	8	M16 X 20	M16 X 20
14	O-RING	1	G150 X 3.1t	G150 X 3.1t	34	SCREW FOR SETTING	1		
15	BUSH	4	DU4540	DU4540	35	O-RING	1	G55 X 3.1t	G55 X 3.1t
16	PIN	2	Ø10 X 30	Ø10 X 30	36	VALVE COVER	1		
17	HEX'S HEAD BOLT	4	M16 X 40	M16 X 40	37	NAMEPLATE	1		
18	OIL SEAL	1	Ø45XØ62X8	Ø45XØ62X8	38	NAMEPLATE	1		
19	SNAP RING	1	R62(HOLE)	R62(HOLE)	39	SPRING WASHER	4	M16	M16
20	KEY	1	12 X 8 X 50	12 X 8 X 50					



**For inquiries,
contact us.**

info@tkshipcare.com

www.tkshipcare.com

Tel: +48 91 8853898

Fax: +48 91 8853899