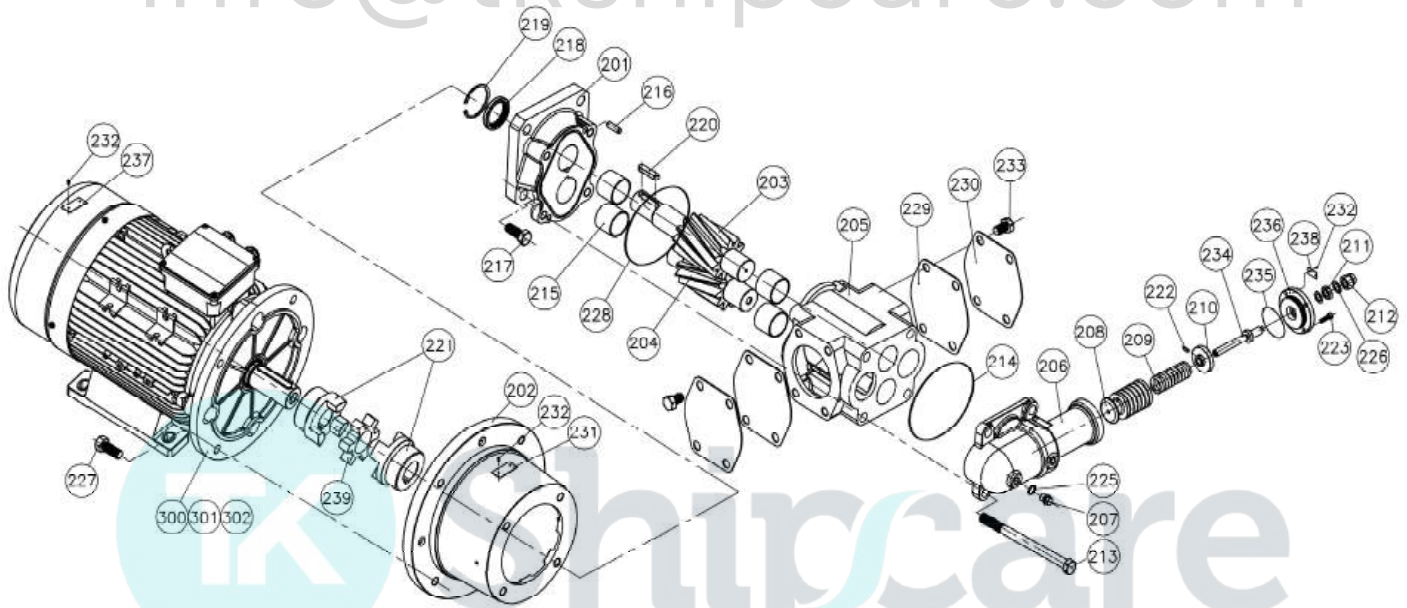


## Exploded view

## **Gear pump YR250**



## List of components

POS. NO	Denomination	QTY	PART. NO.			weight (kg)	POS. NO	Denomination	QTY	PART. NO.			weight (kg)
			YRB250	YRE250	YRH250					YRB250	YRE250	YRH250	
201	DRIVING COVER	1		YR250-201		10,8	222	GUIDE PIN	1		YR250-222	0,002	
202	CONNECTION COVER	1		YR250-202		2,5	223	SOCKET HEAD BOLT	3		YR250-223	0,007	
203	DRIVING GEAR SHAFT	1		YR250-203		4,5	224	BLANK			YR250-224		
204	GEAR SHAFT	1		YR250-204		3,4	225	WASHER	2		YR250-225	0,001	
205	GEAR HOUSING	1		YR250-205		14,4	226	WASHER	2		YR250-226	0,002	
206	VALVE HOUSING	1		YR250-206		6,9	227	HEX'S HEAD BOLT	4		YR250-227	0,05	
207	PLUG	2		YR250-207		0,03	228	O-RING	1		YR250-228	0,01	
208	PISTON	1		YR250-208		0,47	229	RUBBER PLATE	2		YR250-229	0,05	
209	COMPRESSION SPRING	1		YR250-209		0,32	230	COVER PLATE	2		YR250-230	0,2	
210	STOP RING	1		YR250-210		0,14	231	NAME PLATE	1		YR250-231	0,005	
211	STOP NUT	1		YR250-211		0,025	232	RIVETS	6		YR250-232	0,002	
212	CAP NUT	1		YR250-212		0,05	233	HEX'S HEAD BOLT	8		YR250-233	0,065	
213	HEX'S HEAD BOLT	4		YR250-213		0,32	234	SCREW FOR SETTING	1		YR250-234	0,12	
214	O-RING	1		YR250-214		0,01	235	O-RING	1		YR250-235	0,001	
215	BUSH	4		YR250-215		0,11	236	VALVE COVER	1		YR250-236	0,58	
216	PIN	2		YR250-216		0,02	237	NAMEPLATE	1		YR250-237	0,002	
217	HEX'S HEAD BOLT	4		YR250-217		0,09	238	NAMEPLATE	1		YR250-238	0,004	
218	OIL SEAL	1		YR250-218		0,045	239	JAW COUPLING SPIDER	1		YR250-239	0,07	
219	SNAP RING	1		YR250-219		0,011	300	MOTOR (Brook)	1		YRB250-300	79,0	
220	KEY	1		YR250-220		0,032	301	MOTOR (Hoyer)	1		YRE250-301	54,0	
221	JAW COUPLING HUB	1		YR250-221		3,88	302	MOTOR (Hyundai)	1		YRH250-302	74,0	



**For inquiries,  
contact us.**

[info@tkshipcare.com](mailto:info@tkshipcare.com)

[www.tkshipcare.com](http://www.tkshipcare.com)

Tel: +48 91 8853898

Fax: +48 91 8853899